

Reliable Water Treatment in a Quick to Ship Pre-Engineered System

DOSASKID™ chemical-dosing system is a pre-engineered system that meets the challenges of water and wastewater treatment applications. With durable features of construction, Milton Roy sets the industry standard by providing consistent, reliable metering pump accuracy in a quick to ship dosing package.

Standard DOSASKID systems feature two metering pumps to assure a primary and a backup for each process. Each skid also includes a control panel, variable speed drive, piping, valves, and accessories including a calibration column and pump risers for sodium hypochlorite degassing. Standard DOSASKID systems can be built using three different sets of Milton Roy pumps – including the mROY®, MACROY™ or PROTEUS™ models - to address a wide range of chemicals and flow volume.

Features and Benefits

- Quick to ship, pre-engineered package
- Available using our mROY, MACROY or PROTEUS™ pumps to meet your application requirements
- Documentation package including drawings, manuals, and specifications
- Each DOSASKID™ package has been tested to all applicable standards to provide efficient chemical delivery



Delivering efficient and cost-effective chemical addition to your process

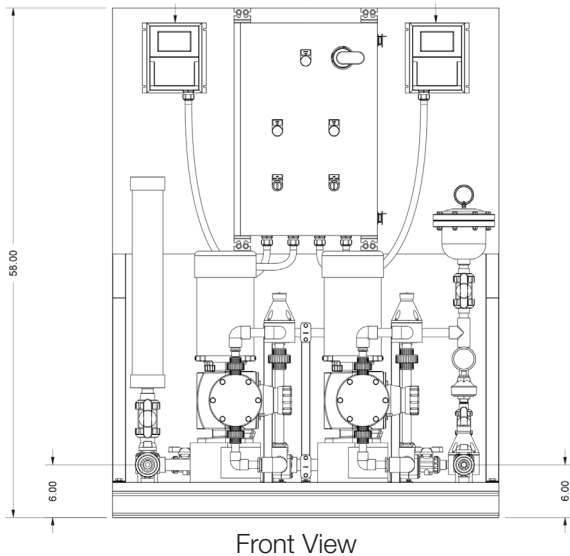
Applications

The DOSASKID™ chemical dosing system provides efficient, cost-effective water and wastewater treatment for applications including, but not limited to:

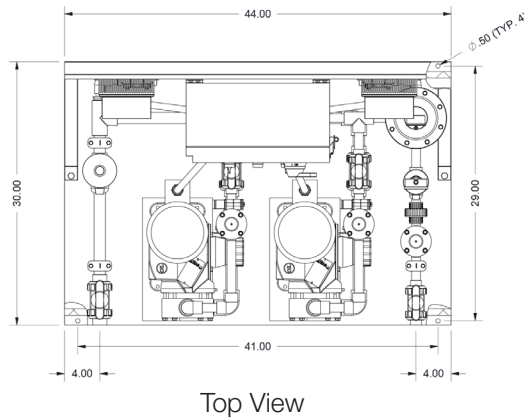
- Coagulants
- Softening agents
- Cooling tower biocides
- pH control and adjustment
- Boiler feed chemicals
- Odor control
- Disinfectants
- Chlorination and dechlorination

DOSASKID™

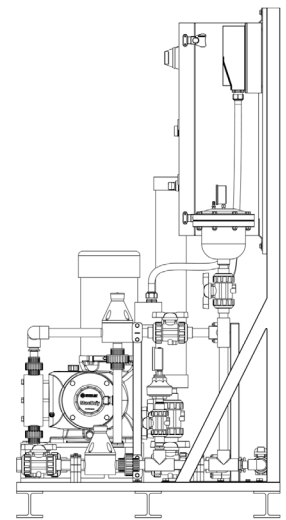
Chemical Dosing System



Front View



Top View



Side View

Specifications

System Model	GPH	L/H	PSI	BAR	Pump Model	Liquid End Material	Pipe Material Options	Elastomer Options	Pipe Diameter		Frame Options	Pulsation Dampener	AC VSD
									Suction	Discharge			
VS-M2	2.2	8.3	150	10.3	MROY A	PVC	PVC	FKM or EPDM	3/4" 1.9 cm	1/2" 1.3 cm	FRP/PP or Stainless Steel	Optional	Optional
VS-M6	5.6	21.2	150	10.3	MROY A	PVC	PVC						Not Required
VS-P6	6.6	21.2	175	12.1	PROTEUS	PVDF	PVC or PVDF						Optional
VS-C6	18.0	25.0	175	12.1	MACROY D	PVC	PVC						Not Required
VS-P18	18.1	68.1	50	3.4	PROTEUS	PVDF	PVC or PVDF		1" 2.5 cm	3/4" 1.9 cm	FRP/PP or Stainless Steel	Optional	Optional
VS-M18	18.1	68.5	150	10.3	MROY A	PVC	PVC						
VS-C25	25.0	94.6	50	6.9	MACROY D	PVC	PVC						
VS-C50	50.0	189.3	100	6.9	MACROY D	PVC	PVC						
VS-C75	75.0	283.9	150	10.3	MACROY G	PVC	PVC						
CS-M85	85.0	321.8	150	10.3	MROY B	PVC	PVC						
VS-C87	87.0	329.3	75	5.2	MACROY D	PVC	PVC	1 HP TE Washdown	Integral				
VS-C104	104.0	393.7	100	6.9	MACROY G	PVC	PVC						

Power Requirements

	MROY A	MACROY D	MROY B	MACROY G	PROTEUS
Constant Speed HP	1/2 HP TE		1 HP TE		Integral
Variable Speed HP	1 HP TE Washdown				

Ingersoll Rand Inc. (NYSE:IR), driven by an entrepreneurial spirit and ownership mindset, is dedicated to helping make life better for our employees, customers and communities. Customers lean on us for our technology-driven excellence in mission-critical flow creation and industrial solutions across 40+ respected brands where our products and services excel in the most complex and harsh conditions. Our employees develop customers for life through their daily commitment to expertise, productivity and efficiency. For more information, visit www.IRco.com.



Contact your local representative to find out more about DOSASKID™ quick to ship standard chemical dosing systems.

www.miltonroy.com



An Ingersoll Rand Business