

Dosing pump series PN-P

- Maximum Flow rate: 457.6 l/h • Maximum Pressure: 125 kg/cm²g • Packed plunger pumps
- Variable eccentric drive mechanism

Technical characteristics

Standard:

- Flow rate up to: 457.6 l/h
- Pressure up to: 125 kg/cm²g
- Conforms to API 675 Standard
- Stroke adjustment by variable eccentric minimising pulsation and shock
- Lockable Micrometer Stroke Adjustment
- Maximum temperature of pumped liquid: 120°C
- Maximum Ambient temperature: 50°C
- Adjustment of flow rate while running or stopped: from 0 to 100%
- Accuracy: $\pm 1\%$ of rated flow from 10% to 100% stroke
- Repeatability: $\pm 3\%$, Linearity: $\pm 3\%$
- Turn down ratio 10:1
- Lubrication by oil bath
- Liquid end material of construction: SS316, other MOC on request
- End connections: Threaded
- Stroke length: 16 mm

Options:

- Variable speed drive, Electronic capacity control
- End connections: Flanged
- Accessories Like Y-Strainer, PRV, Antisiphon valve upto 10 bar pressure will be supplied on request.

Characteristics of motors

Standard Motor Data:

- Motor Power: 0.37kW / 0.75kW (0.5HP/1 HP)
- Power Supply: 415V – 50 Hz – 3 phase
- Degree of protection: IP 55
- Insulation: class F
- Motor Speed: 960 rpm (for 96 spm) / 1440 rpm (for other all spm)
- Enclosure: TEFC

Options:

- Flame/Explosion proof motors



Liquid end construction

Components	Materials
Liquid end body	SS 316
Plunger	SS 316
Valve body	SS 316
Balls	SS 316
Packing	PTFE braided rope
Y - Strainer	SS 316

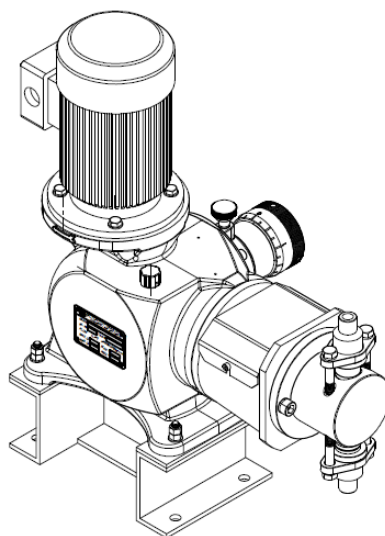
Accessories

To meet your installation needs a large range of accessories are available on request (Pulsation dampeners, safety and back pressure valves),

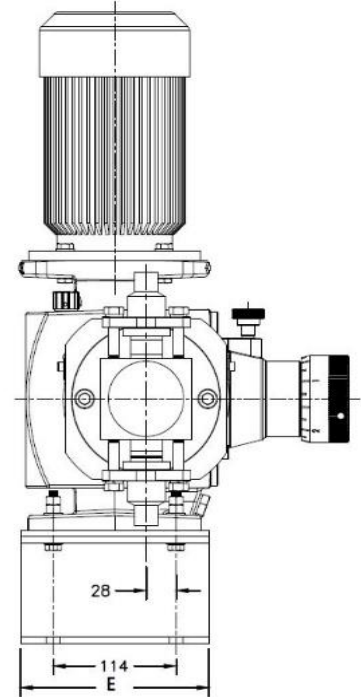
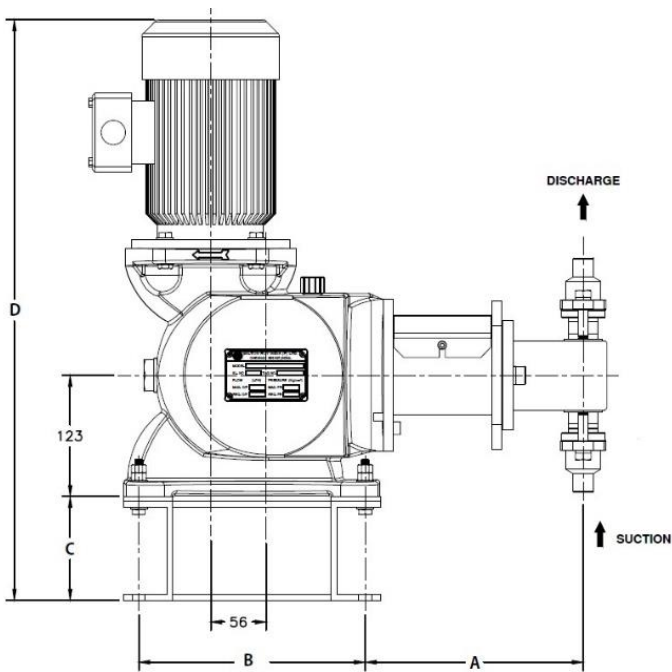
Performances

Pump model	Flow max. (l/h)	Pressure max. (kg/cm ² g)		Stroke speed (spm)	Plunger Ø (mm)	End Connections (Suction & Discharge)
		0.5 HP	1 HP			
16A	5.6	125	-	36	16	1/2" NPT (M)
16B	11.3	125	-	72	16	1/2" NPT (M)
16C	22.5	75	125	144	16	1/2" NPT (M)
16D	28.2	75	125	180	16	1/2" NPT (M)
16E	15	125	-	96	16	1/2" NPT (M)
20A	8.9	90	-	36	20	1/2" NPT (M)
20B	17.9	90	-	72	20	1/2" NPT (M)
20C	35.7	50	90	144	20	1/2" NPT (M)
20D	44.6	50	90	180	20	1/2" NPT (M)
20E	23.8	90	-	96	20	1/2" NPT (M)
25A	14.2	55	-	36	25	1/2" BSP (M)
25B	28.3	55	-	72	25	1/2" BSP (M)
25C	56.6	30	55	144	25	1/2" BSP (M)
25D	70.8	30	55	180	25	1/2" BSP (M)
25E	37.7	55	-	96	25	1/2" BSP (M)
32A	23.4	35	-	36	32	1/2" BSP (M)
32B	46.7	35	-	72	32	1/2" BSP (M)
32C	93.5	20	35	144	32	1/2" BSP (M)
32D	116.9	20	35	180	32	1/2" BSP (M)
32E	62.3	35	-	96	32	1/2" BSP (M)

Pump model	Flow max. (l/h)	Pressure max. (kg/cm ² g)		Stroke speed (spm)	Plunger Ø (mm)	End Connections (Suction & Discharge)
		0.5 HP	1 HP			
40A	36.7	20	-	36	40	1/2" BSP (M)
40B	73.5	20	-	72	40	1/2" BSP (M)
40C	147	12	20	144	40	1/2" BSP (M)
40D	183.7	12	20	180	40	1/2" BSP (M)
40E	98	20	-	96	40	1/2" BSP (M)
50A	57.6	12	-	36	50	1" BSP (M)
50B	115.2	12	-	72	50	1" BSP (M)
50C	230.4	8	12	144	50	1" BSP (M)
50D	288	8	12	180	50	1" BSP (M)
50E	153.6	12	-	96	50	1" BSP (M)
55A	69.8	10	-	36	55	1" BSP (M)
55B	139.5	10	-	72	55	1" BSP (M)
55C	279	7	10	144	55	1" BSP (M)
55D	348.8	7	10	180	55	1" BSP (M)
55E	186	7	-	96	55	1" BSP (M)
63A	91.5	7	-	36	63	1" BSP (M)
63B	183.1	7	-	72	63	1" BSP (M)
63C	366.1	5	7	144	63	1" BSP (M)
63D	457.6	5	7	180	63	1" BSP (M)
63E	244.1	7	-	96	63	1" BSP (M)



Dimensions and Connections



Dimensions (mm)					
Pump	A	B	C	D	E
PN 16-20	199	229	105	587	175
PN 25	203	229	105	587	175
PN 32-40	220	229	105	587	175
PN 50-63	241	229	105	590	175

Weight

Liquid End	Weight (ka)
Metallic	65

*Any changes in this catalogue applicable without prior Information

Plot No: 45/1, 8th Avenue, Domestic Tariff Area,
Mahindra World City, Chengalpet District,
Chengalpet – 603004, Tamil nadu, India.
Tel Ph. No: +91-44-71113111
mr-sales@miltonroy.com | www.miltonroyindia.com