

Actuator Capacity Controller (ACC)

The Actuator Capacity Controller (ACC) is a compact, robustly designed controller that optimizes flow, precision, reliability and integration with Milton Roy® pumps.

SPECIFICATIONS

Enclosure

- Watertight: IP68, NEMA 4x
- Explosion-proof: IEC Ex/ATEX d IIB T4, CSA, NEMA 7

Electrical Input Power

- 1 phase, 85V to 260V, 50/60 Hz (standard)
- 24VDC (standard)

Control and Position Signal

- 4-20mA analog input command/output feedback

Accuracy

- $\pm 1\%$

Modulating Cycle

- Inching/positioning

Motor

- DC controlled by electronic circuit board
- 30 watts
- AC: $I_s = 2A$ (starting current)
- DC: $I_s = 6A$ (starting current)

Temperature

- -40°F to 140°F (-40°C to 60°C)

Conduit

- 2" x 3/4" NPT (without cable gland)

External Protection

- Coating C4 according to ISO 12966 (standard)
- Coating C5 according to ISO 12966 (optional)

Materials

- Body: Aluminum alloy
- Cover: Aluminum alloy
- Mounting Bracket: Aluminum
- Manual Override Shaft: Steel
- Cover fastened by captive and stainless steel screws



BENEFITS

- Compact, robust design accommodates easier integration with metering skids
- Multi-voltage and multi-frequency power suitable for global industrial process
- Explosion-proof design suitable for severe applications
- Sand proof protection
- Standard version suitable for various weather environments
- Simple, easy for quick setup

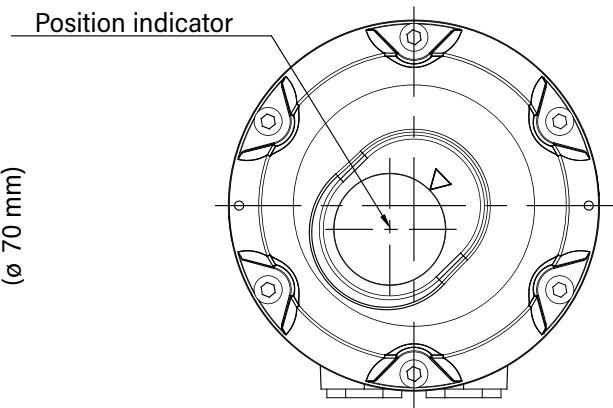
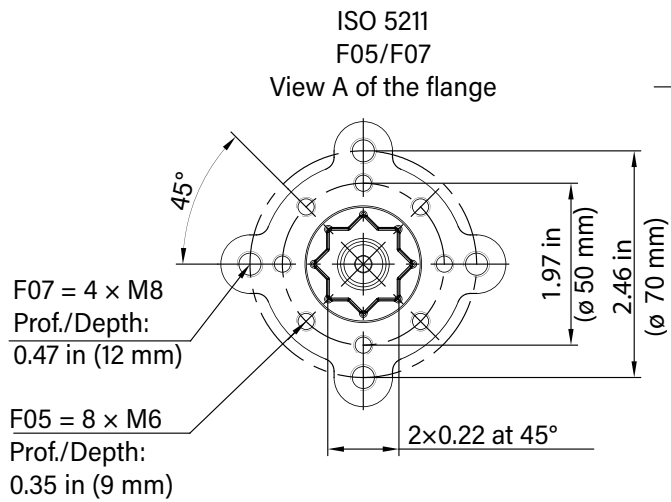
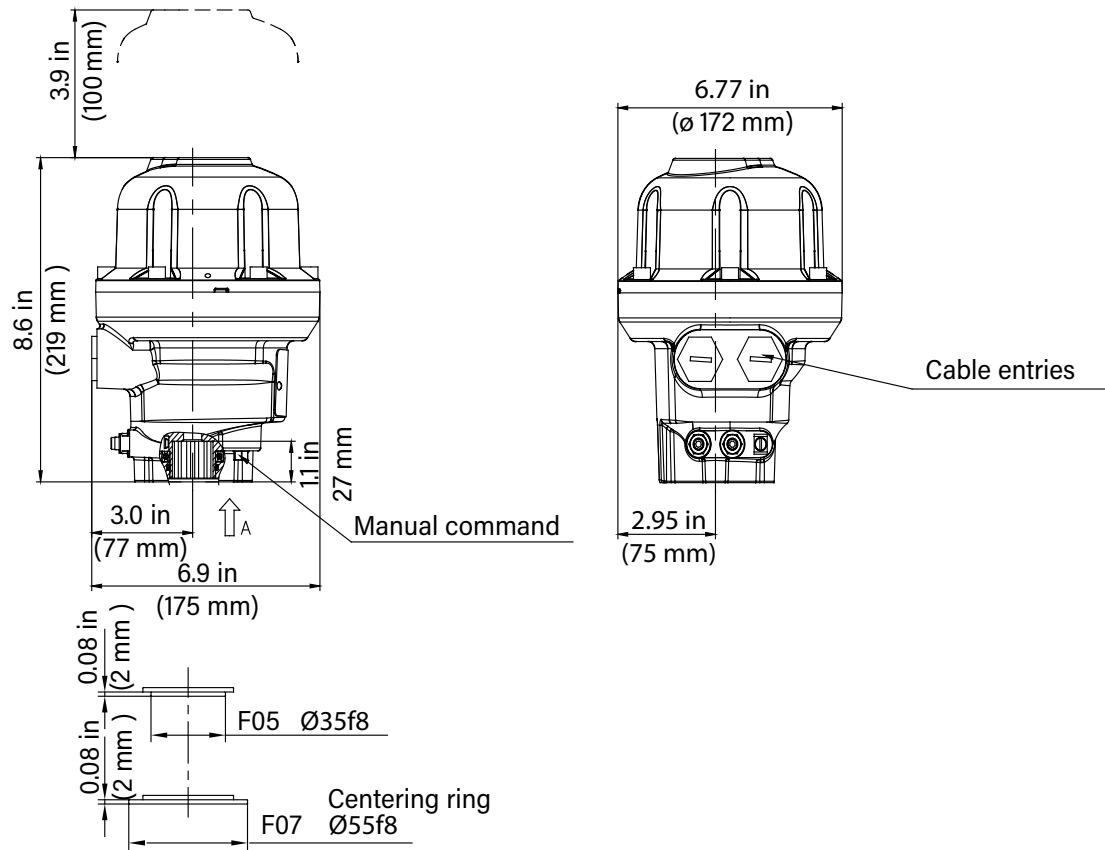
FEATURES

- High level of modulating accuracy to control the pumps remotely
- Special offshore version for O&G applications
- Flexible adjustment for flow rate 1:10 ratio to meet API 675 standard
- Mechanical position indicator integrated inside cover to conveniently check levels
- Manual override integration for manual flow adjustment as needed

MODELS USING ACC

- mROY®
- MAXROY®
- MILROYAL®
- PRIMEROY® K / L
- PRIMEROYAL® K / L

DIMENSIONS



The general dimensions are given for information only.