

Dosing pump series PN-K

- Maximum Flow rate: 2000 l/h
- Maximum Pressure: 225 kg/cm²g
- Packed plunger pumps
- Variable eccentric drive mechanism



Technical characteristics

Standard:

- Flow rate up to: 2000 l/h
- Pressure up to: 225 kg/cm²g
- Conforms to API 675 Standard
- Stroke adjustment by variable eccentric minimising pulsation and shock
- Lockable Micrometer Stroke Adjustment
- Maximum temperature of pumped liquid: 120°C
- Maximum Ambient temperature: 50°C
- Adjustment of flow rate while running or stopped: from 0 to 100%
- Accuracy: ± 1% of rated flow from 10% to 100% stroke
- Repeatability: ±3%, Linearity: ±3%
- Turn down ratio 10:1
- Lubrication by oil bath
- Liquid end material of construction: SS316
- End connections: Threaded
- Stroke length: 34 mm

Options:

- Variable speed drive, Electronic capacity control
- End connections: Flanged



Characteristics of motors

Standard Motor Data:

- Motor Power: 0.75kW, 1.1 kW, 1.5 kW, 2.2 kW
- Power Supply: 415V – 50 Hz – 3 phase
- Degree of protection: IP 55
- Insulation: class F
- Motor Speed: 1440 rpm
- Enclosure: TEFC

Options:

- Flame/Explosion proof motors

Liquid end construction

Components	Materials
Liquid end body	SS 316
Plunger	SS 316
Valve body	SS 316
Balls	SS 316
Packing	PTFE braided rope
Y – Strainer (Optional)	SS 316

Accessories

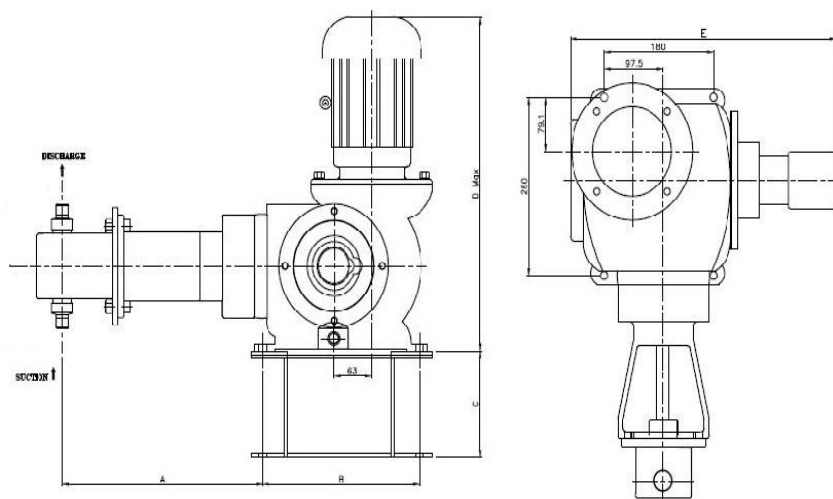
To meet your installation needs a large range of accessories are available on request (Pulsation dampeners, safety and back pressure valves),

Performances

Pump model	Flow max. (l/h)		Pressure max. (kg/cm ² g)				Stroking speed (spm)	Stroke length (mm)	Plunger Ø (mm)	End Connections (Suction & Discharge)
	@ 10 bar	@ Max pr.	1 HP	1.5 HP	2 HP	3 HP				
16A	20	18.5	150	225	-	-	58	34	16	½" NPT (M)
16B	33	31	150	225	-	-	96	34	16	½" NPT (M)
16C	50	47	75	150	225	-	144	34	16	½" NPT (M)
16D	65	61	60	85	150	225	180	34	16	½" NPT (M)
20A	30	28	100	150	-	-	58	34	20	½" BSP (M)
20B	50	48	100	150	-	-	96	34	20	½" BSP (M)
20C	75	72	45	100	150	-	144	34	20	½" BSP (M)
20D	95	91.5	35	55	100	150	180	34	20	½" BSP (M)
25A	48	47	60	100	-	-	58	34	25	½" BSP (M)
25B	80	78	60	100	-	-	96	34	25	½" BSP (M)
25C	120	115	30	60	100	-	144	34	25	½" BSP (M)
25D	150	146	25	35	60	100	180	34	25	½" BSP (M)
32A	80	79	35	60	-	-	58	34	32	½" BSP (M)
32B	130	128	35	60	-	-	96	34	32	½" BSP (M)
32C	200	195	17	35	60	-	144	34	32	½" BSP (M)
32D	250	247	15	20	35	60	180	34	32	½" BSP (M)
40A	125	124	20	35	-	-	58	34	40	½" BSP (M)
40B	205	204	20	35	-	-	96	34	40	½" BSP (M)
40C	310	308	11	20	35	-	144	34	40	½" BSP (M)
40D	390	388	9	14	20	25	180	34	40	½" BSP (M)
50A	190	190	12	25	-	-	58	34	50	1" BSP (M)
50B	320	320	12	25	-	-	96	34	50	1" BSP (M)
50C	490	490	7	12	20	-	144	34	50	1" BSP (M)
50D	610	610	6	9	12	25	180	34	50	1" BSP (M)
55A	230	230	10	20	-	-	58	34	55	1" BSP (M)
55B	390	390	10	20	-	-	96	34	55	1" BSP (M)
55C	590	590	6	10	20	-	144	34	55	1" BSP (M)
55D	740	740	5	7	10	20	180	34	55	1" BSP (M)
63A	-	310	7	15	-	-	58	34	63	1" BSP (M)
63B	-	510	7	15	-	-	96	34	63	1" BSP (M)
63C	-	770	-	-	7	15	144	34	63	1" BSP (M)
63D	-	970	-	-	7	15	180	34	63	1" BSP (M)
70A	-	380	5	12	-	-	58	34	70	1" BSP (M)

Pump model	Flow max. (l/h)		Pressure max. (kg/cm ² g)				Stroking speed (spm)	Stroke length (mm)	Plunger Ø (mm)	End Connections (Suction & Discharge)
	@ 10 bar	@ Max pr.	1 HP	1.5 HP	2 HP	3 HP				
70B	-	640	5	12	-	-	96	34	70	1" BSP (M)
70C	-	960	-	-	5	12	144	34	70	1" BSP (M)
70D	-	1200	-	-	5	12	180	34	70	1" BSP (M)
90A	-	635	3	7	-	-	58	34	90	1 1/2" BSP (M)
90B	-	1050	3	7	-	-	96	34	90	1 1/2" BSP (M)
90C	-	1580	-	-	3	7	144	34	90	1 1/2" BSP (M)
90D	-	2000	-	-	3	7	180	34	90	1 1/2" BSP (M)

Dimensions and Connections



Dimensions (mm)					
Pump	A	B	C	D	E
PN 16-20	330	260	155	850	440
PN 25	302	260	155	650	440
PN 32-40	320	260	155	850	440
PN 50-90	330	260	155	850	440

Weight

Liquid End	Weight (ka)
Metallic	150

*Any changes in this catalogue applicable without prior Information

Plot No: 45/1, 8th Avenue, Domestic Tariff Area,
Mahindra World City, Chengalpet District,
Chengalpet – 603004, Tamil nadu, India.
Tel Ph. No: +91-44-71113111
mr-sales@miltonroy.com | www.miltonroyindia.com