

# Dosing pump series - B

- Maximum Flow rate: 17 l/h
- Maximum Pressure: 10 kg/cm<sup>2</sup>g
- Electro Magnetically Actuated Diaphragm



## Technical characteristics

### Standard:

- Flow rate up to: 17 l/h
- Pressure up to: 10 kg/cm<sup>2</sup>g
- Manual / automatic speed control adjustable while running or stopped.
- Electronically operated Mechanically actuated diaphragm
- Manual stroke length adjustable while running
- Electro Magnetic Drive: Less moving parts.
- Composite PTFE faced Hypalon Diaphragm for longer life
- Adjustment of flow rate while running or stopped: from 0 to 100%
- Accuracy:  $\pm 2\%$  of rated flow from 10% to 100% stroke
- Suction lift: up to 1.5 m water max.



## Characteristics of drive

### Standard Drive Data:

- Electromagnetic Power Unit (EPU) 230V, 50Hz, Single Phase A.C
- Power Consumption Approx. 75 Watts.
- "9" series are automated pumps (i.e. 4-20mA)

## Accessories

To meet your installation needs a large range of accessories are available on request (Pulsation dampeners, safety and backpressure valves), consult us.

## Liquid end construction

Components	Materials			
	PP	PVC	PVDF	SS-316
Liquid end body	PP	PVC	PVDF	SS-316
Valve body	PVC	PVC	PVDF	SS-316
Ring Seal	TEFLON	TEFLON	TEFLON	TEFLON
Balls	CERAMIC	CERAMIC	CERAMIC	CERAMIC
Connections	PVC	PVC	PVDF	SS-316
Diaphragm	TEFLON FACED HYPALON	TEFLON FACED HYPALON	TEFLON FACED HYPALON	TEFLON FACED HYPALON
Foot Valve	PVC	PVC	N/A*	SS-316
Antisiphon valve	PVC	PVC	PVDF	SS-316
Tubing	LDPE	LDPE	LDPE	LDPE

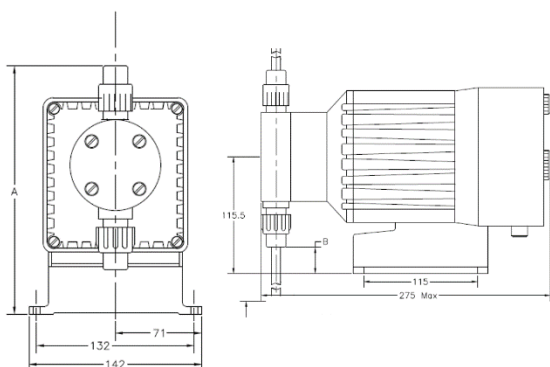
#Alloy 20 available based on customer request

\*Online Strainer shall be offered for PVDF

## Performances

Pump model	Flow max. (l/h)		Pressure max. (KG/CM <sup>2</sup> )	Size of Tubing (Suction & Discharge) [OD x ID]
	Min (l/h)	Max (l/h)		
B-11, B-71, B-91	0.06	6	10	3/8" x 1/4"
B-12, B-72, B-92	0.095	9.5	7	3/8" x 1/4"
B-13, B-73, B-93	0.17	17	3.5	1/2" x 3/8"

## Dimensions and Connections



Dimensions (mm)	A	B
Pump model		
B-11/B-71, B-12/B-72	210	37
B-13/B-73	210	30

## WEIGHT

Liquid End	Weight (kg)
Metallic	6
Plastic	5.5

\*Any changes in this catalogue applicable without prior Information

Plot No: 45/1, 8th Avenue, Domestic Tariff Area,  
Mahindra World City, Chengalpet District,  
Chengalpet – 603004, Tamil nadu, India.  
Tel Ph. No: +91-44-71113111  
[mr-sales@miltonroy.com](mailto:mr-sales@miltonroy.com) | [www.miltonroyindia.com](http://www.miltonroyindia.com)