

HELISEM[®] Mixers

VRP MODEL

DATA SHEET

The HELISEM[®] series offers 5 distinct models - VDA, VRP, VRH, VRG and FRH - with the VRP fitted with a PBT impeller, to support a wide range of open or closed tank applications up to 4m (13ft) diameter (90 m³ - 23800 gallons) and viscosities up to 1,000 mPas (cP) at 1.3 specific gravity.

The VRP model is a gearmotor driven mixer using a pitch blade turbine (PBT) impeller. An ideal mixer for a wide range of applications, the VRP offers mixing during emptying, filling or with a variable speed drive.

Powerful and compact, the VRP model provides energy efficiency in a light-weight mixer with uncompromising results.

General Characteristics:

- Agitator with gear drive motor
- Lower shaft provided with a 4 pitch blade turbine (PBT) impeller
- Rated power from 0.18 to 3 kW (1/4 to 4 HP)

Applications:

- General Blending
- Homogenization
- Dissolution
- Preparation of reagents
- Neutralization

Materials:

- Wetted Parts – Stainless steel 316L
- Painting PU: RAL 1018 on the drive system

Features & Benefits:

- Easy to install and maintain, saving valuable manpower and resources
- Short mixer lead-times to minimize downtime or interruptions in production
- Rotation during filling and draining

Mounting Options:

- Direct Mounting to gearmotor
- Square baseplate
- Circular baseplate for ASME B16.5 tank flange

Electrical Characteristics*:

- 50Hz 230V 1Phase
- 60Hz 230V 1 Phase
- 50Hz 400V 3Phase
- 60Hz 460V 3Phase

*Other voltage options available

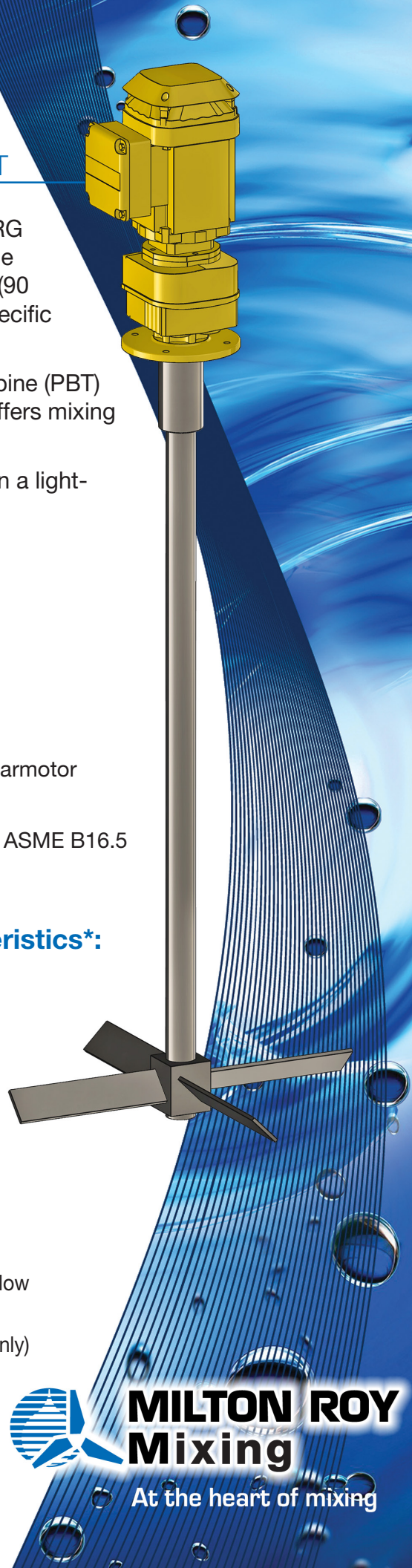
Options:

- 1 or 2 impellers
- Upward or downward flow
- Coated wetted parts (Abcite on solid shaft only)



MILTON ROY
Mixing

At the heart of mixing



Single Impeller

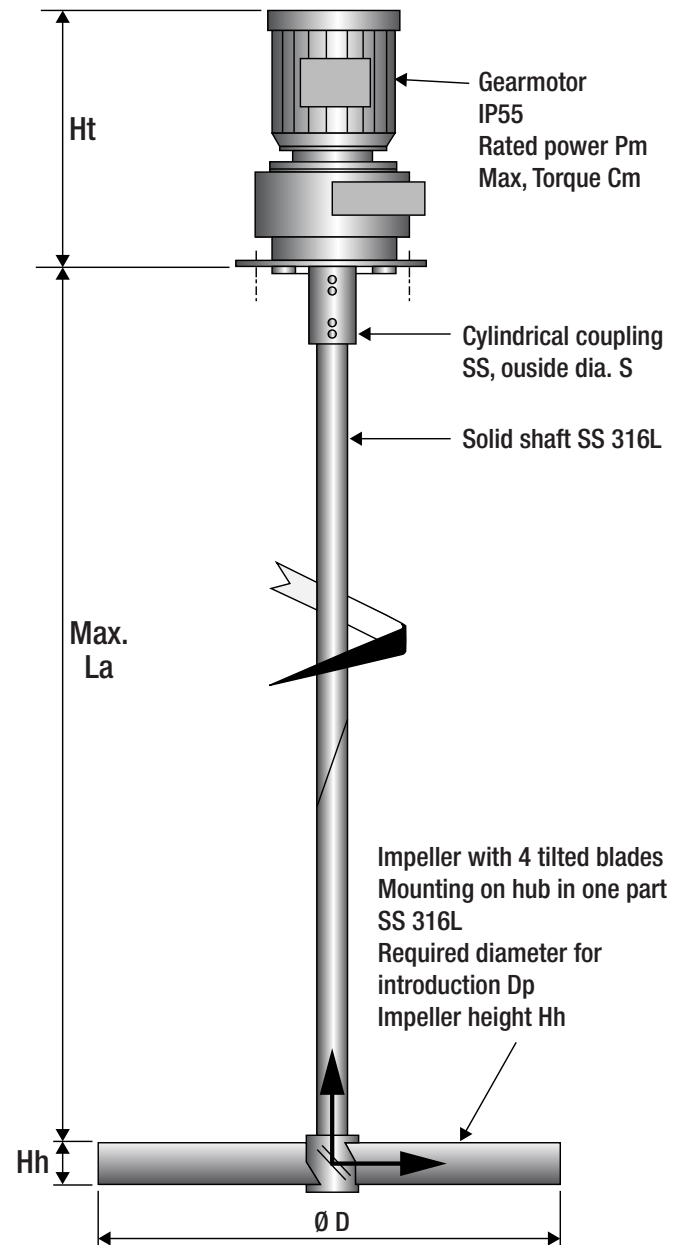
Single Impeller Dim.		50Hz (Metric)					60Hz IEC (Metric)					60Hz IEC (Imperial)				
VRP		0205	0355	0505	0605	0805	0206	0356	0506	0606	0806	0206	0356	0506	0606	0806
D	mm (in)	200	350	500	600	800	200	350	500	600	800	7.9	13.8	19.7	23.6	31.5
N	rpm	280	190	109	100	104	294	202	109	98	99	294	202	109	98	99
Pm	kW (HP)	0.18	0.55	0.37	1.1	3	0.18	0.55	0.37	1.1	3	0.25	0.75	0.5	1.5	4
Weight	kg (lbs)	14	19	36	64	119	14	18	36	64	119	31	40	79	141	262
Ht	mm (in)	333	400	389	482	603	333	400	389	482	603	13.1	15.7	15.3	19	23.7
Hh	mm (in)	55	55	70	90	110	55	55	70	90	110	2.2	2.2	2.8	3.5	4.3
Dp	mm (in)	160	240	400	480	640	160	240	400	480	640	6.3	9.4	15.7	18.9	25.2
Flange		F130	F130	F130	F130	F215	F130	F130	F130	F130	F215	F130	F130	F130	F130	F215
Sq. Plate (option)		P250	P250	P250	P250	P350	P250	P250	P250	P250	P350	P250	P250	P250	P250	P350
Circ. Plate(option)		6"	6"	6"	6"	10"	6"	6"	6"	6"	10"	6"	6"	6"	6"	10"
Max. La	mm (in)	1200	1400	2250	2400	2500	1200	1400	2250	2400	2500	47.2	55.1	88.6	94.5	98.4
Min. La	mm (in)	300	350	450	550	700	300	350	450	550	700	11.8	13.8	17.7	21.7	27.6

50 Hz Single Impeller

TYPE	Model	Shaft length (mm)
VRP0205	VRP0205S120	1200
VRP0205	VRP0205S30	300
VRP0355	VRP0355S140	1400
VRP0355	VRP0355S35	350
VRP0505	VRP0505S225	2250
VRP0505	VRP0505S45	450
VRP0605	VRP0605S240	2400
VRP0605	VRP0605S55	550
VRP0805	VRP0805S250	2500
VRP0805	VRP0805S70	700

60 Hz Single Impeller

TYPE	Model	Shaft length (mm)	Shaft length (in)
VRP0206	VRP0206S120	1200	47.2
VRP0206	VRP0206S30	300	11.8
VRP0356	VRP0356S140	1400	55.1
VRP0356	VRP0356S35	350	13.8
VRP0506	VRP0506S225	2250	88.6
VRP0506	VRP0506S45	450	17.7
VRP0606	VRP0606S240	2400	94.5
VRP0606	VRP0606S55	550	21.7
VRP0806	VRP0806S250	2500	98.4
VRP0806	VRP0806S70	700	27.6



Dual Impeller

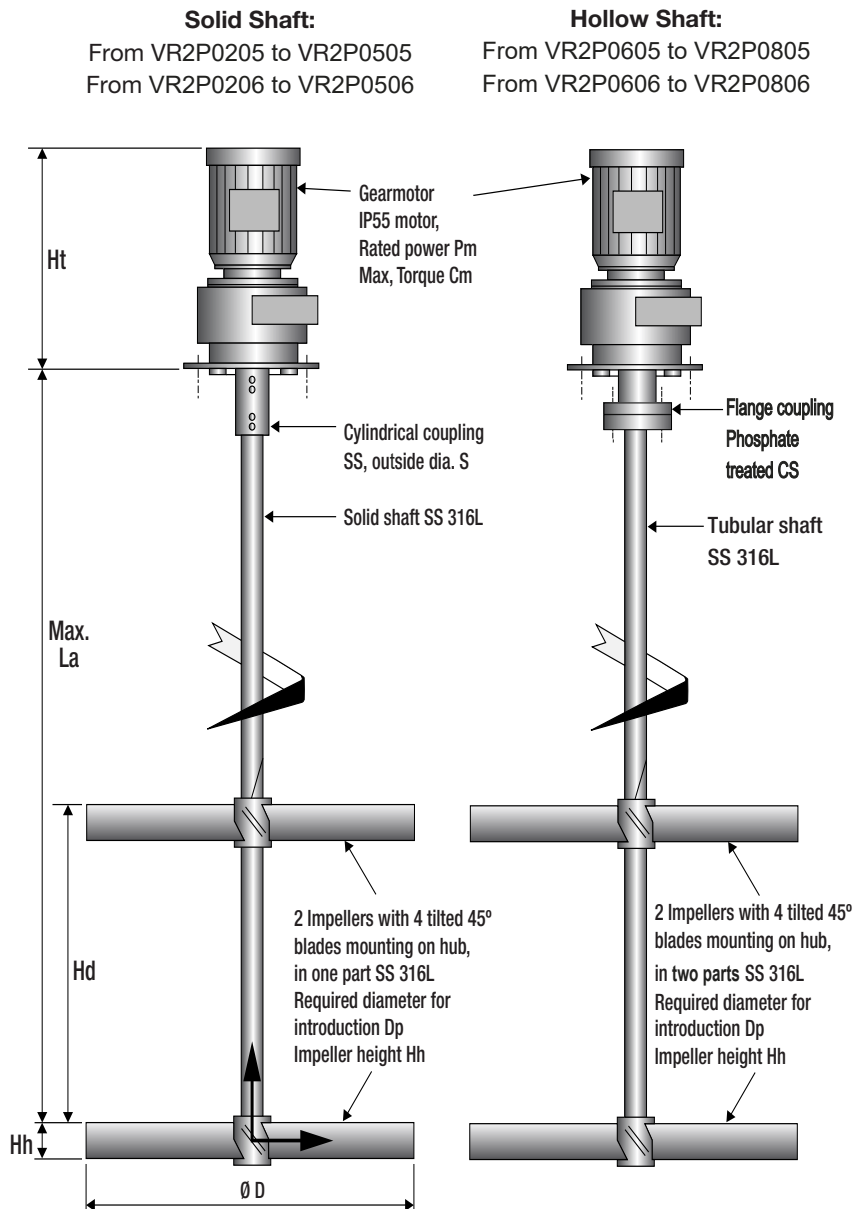
Dual Impeller Dim.		50Hz (Metric)					60Hz IEC (Metric)					60Hz IEC (Imperial)				
VR2P		0205	0355	0505	0605	0805	0206	0356	0506	0606	0806	0206	0356	0506	0606	0806
D	mm (in)	200	350	500	600	800	200	350	500	600	800	7.9	13.8	19.7	23.6	31.5
N	rpm	240	153	92	87	85	227	172	90	80	82	227	172	90	80	82
Pm	kW (HP)	0.18	0.55	0.55	1.1	3	0.18	0.55	0.55	1.1	3	0.25	0.75	0.75	1.5	4
Weight	kg (lbs)	15	23	47	127	242	15	22	54	127	242	33	49	119	280	534
Ht	mm (in)	333	406	406	484	650	333	406	414	484	650	13.1	16	16.3	19.1	25.6
Hh	mm (in)	55	55	70	232	240	55	55	70	232	240	2.2	2.2	2.8	9.1	9.4
Dp	mm (in)	160	240	400	240	320	160	240	400	240	320	6.3	9.4	15.7	9.4	12.6
Flange		F130	F130	F130	F215	F265	F130	F130	F130	F215	F265	F130	F130	F130	F215	F265
Sq. Plate (option)		P250	P250	P250	P350	P400	P250	P250	P250	P350	P400	P250	P250	P250	P350	P400
Circ. Plate(option)		6"	6"	6"	10"	12"	6"	6"	6"	10"	12"	6"	6"	6"	10"	12"
Max. La	mm (in)	1300	1500	2600	3600	4550	1300	1500	2600	3600	4550	51.2	59.1	102.4	141.7	179.1
Min. La	mm (in)	500	750	950	1200	1550	500	750	950	1200	1550	19.7	29.5	37.4	47.2	61
Hd	mm (in)	200	350	500	600	800	200	350	500	600	800	7.9	13.8	19.7	23.6	31.5

50 Hz Dual Impeller

TYPE	Model	Shaft length (mm)
VR2P0205	VR2P0205S130	1300
VR2P0205	VR2P0205S50	500
VR2P0355	VR2P0355S150	1500
VR2P0355	VR2P0355S75	750
VR2P0505	VR2P0505S260	2600
VR2P0505	VR2P0505S95	950
VR2P0605	VR2P0605S360	3600
VR2P0605	VR2P0605S120	1200
VR2P0805	VR2P0805S455	4550
VR2P0805	VR2P0805S155	1550

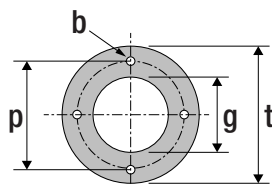
60 Hz Dual Impeller

TYPE	Model	Shaft length (mm)	Shaft length (in)
VR2P0206	VR2P0206S130	1300	51.2
VR2P0206	VR2P0206S50	500	19.7
VR2P0356	VR2P0356S150	1500	59.1
VR2P0356	VR2P0356S75	750	29.5
VR2P0506	VR2P0506S260	2600	102.4
VR2P0506	VR2P0506S95	950	37.4
VR2P0606	VR2P0606S360	3600	141.7
VR2P0606	VR2P0606S120	1200	47.2
VR2P0806	VR2P0806S455	4550	179.1
VR2P0806	VR2P0806S155	1550	61



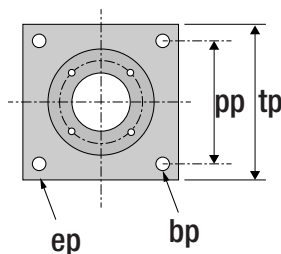
Mounting:

Gear Flange



Type	Metric (mm)			Imperial (in)		
	F130	F215	F265	F130	F215	F265
b	9	13.5	13.5	0.35	0.53	0.53
t	160	250	300	6.3	9.84	11.81
p	130	215	265	5.12	8.46	10.43
g	110	180	230	4.33	7.09	9.06
e	10	15	16	0.39	0.59	0.63

Square support plate (optional)



Type	Metric (mm)			Imperial (in)		
	P250	P350	P400	P250	P350	P400
bp	14	14	16	0.55	0.55	0.63
pp	190	280	320	7.48	11.02	12.6
tp	250	350	400	9.84	13.78	15.75
ep	15	15	15	0.59	0.59	0.59

ASME B16.5 150# FF baseplate (optional)

Type	Metric (mm)			Imperial (in)		
	6"	10"	12"	6"	10"	12"
Outside Diameter	279	406	483	11	16	19
Diameter of Circle of Holes	241	362	432	9.5	14.25	17
Bolt Hole Diameter	22	25	25	0.88	1	1
Number of Holes	8	12	12	8	12	12

Ingersoll Rand Inc. (NYSE:IR), driven by an entrepreneurial spirit and ownership mindset, is committed to helping make life better. We provide innovative and mission-critical industrial, energy, medical and specialty vehicle products and services across 40+ respected brands designed to excel in even the most complex and harsh conditions where downtime is especially costly. Our employees connect to customers for life by delivering proven expertise, productivity and efficiency improvements. For more information, visit www.IRCO.com.



HELISEM is a registered tradename of Milton Roy

© 2018 Milton Roy, All Rights Reserved

miltonroy.com

miltonroymixing.com

Literature# MRMVRP 10/22